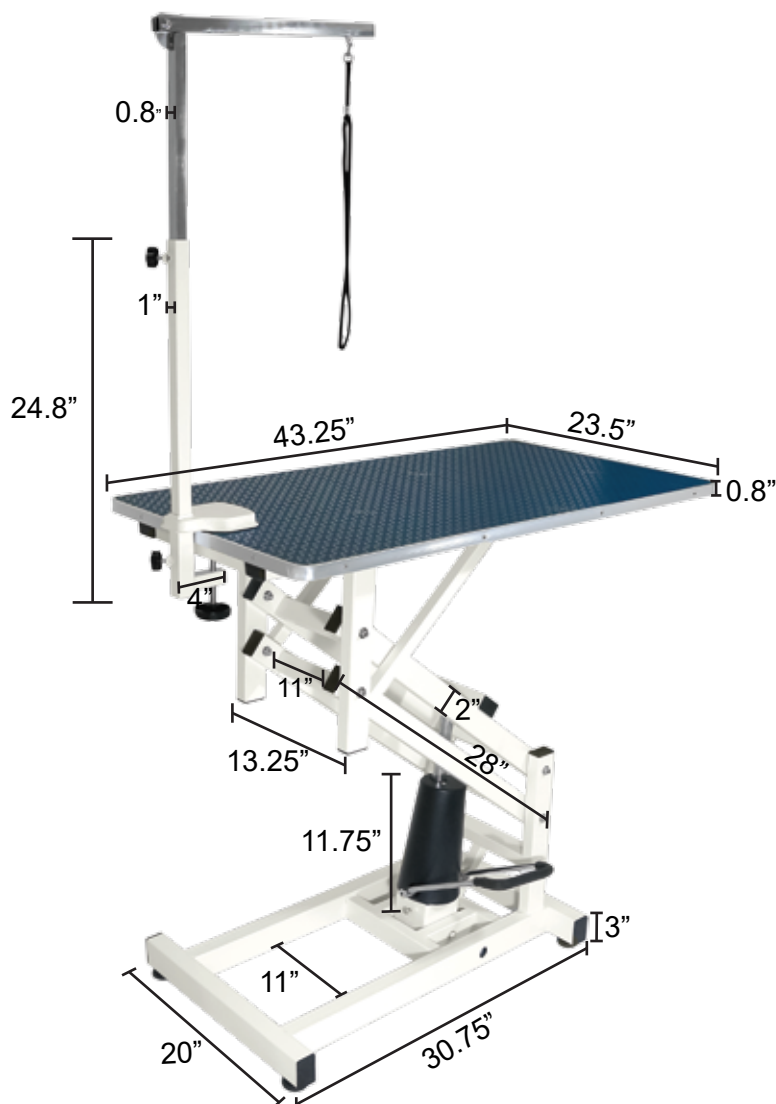


FLYING PIG GROOMING

Model # FP190

Heavy Duty Hydraulic Grooming Table



Package Includes

- Heavy duty hydraulic table (1)
- Adjustable grooming arm (1)
- Grooming arm loop (1)
- Leg levelers (4)

Materials

- Table Frame: thick steel with powder coated graphite finish
- Tabletop: wood w/ rubber matting
- Foot Pedal: Iron with chrome coating and black rubber
- Grooming Arm: stainless steel and iron
- Arm's knob: high quality plastic
- Screws: Galvanized Iron

Features

- Adjustable height from 19.50" to 39.75"
- Heavy duty hydraulic pump supports Pets up to 220 lbs
- All metal base and frame, ready for tough work
- Foot Control Pedal: completely free your hands

www.FlyingPigGrooming.com

© Flying Pig Grooming